

HA Tablemount FS Dual Free standing Desktop Monitor Mount

Item no.: 8708

The HA Tablemount FS Dual is a tiltable, swivelling and height-adjustable desktop monitor mount for two monitors between 15 and 27" | 38 - 68 cm, which is also suitable for wide or curved screens.

The included VESA universal mount supports the VESA standards 75 x 75 and 100 x 100 mm.

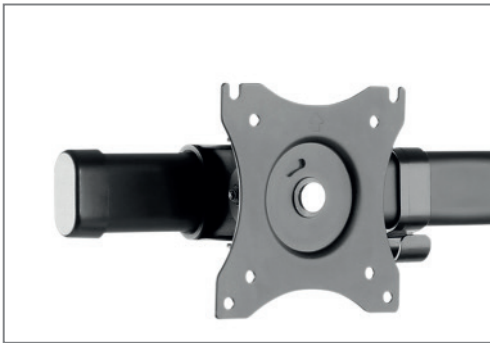
The monitor can be installed in portrait or landscape format. The format can be changes from landscape to portrait and vice versa at any time.

The screen can be tilted $\pm 45^\circ$ and swiveled $\pm 15^\circ$. The height can be varied between 100 and 466 mm via tools.

Cables can be laid neatly and space-saving in rear clamps.

The surface is finished with an impact- and scratch-resistant powder coating in black.

The max. load is 10 kg per VESA holder.



VESA 75 x 75 and 100 x 100 mm



cable routeing via cable clips



very carefree thanks to impact- and scratch-resistant powder coating in black

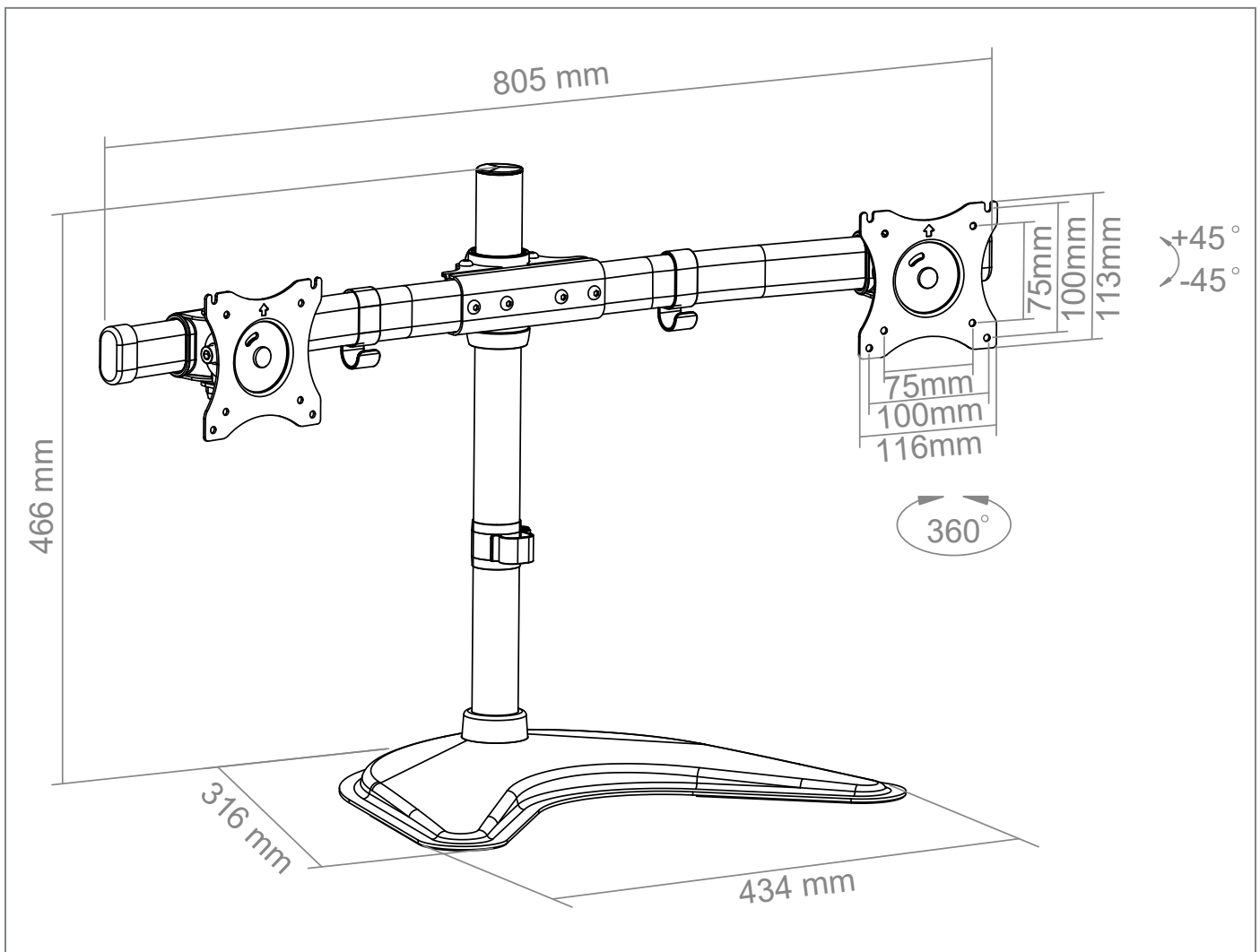


HA Tablemount FS Dual

Free standing Desktop Monitor Mount

Item no.: 8708

- for two monitors from 15 - 27" | 38 - 68 cm
- portrait or landscape format possible, changeable from landscape to portrait and vice versa at any time without additional installation effort
- incl. VESA mount - 75 x 75 and 100 x 100 mm
- height adjustable 100 - 466 mm (tool needed)
- $\pm 45^\circ$ tiltable
- $\pm 15^\circ$ swivelling
- $\pm 180^\circ$ rotatable
- impact- and scratch-resistant powder coating
- colour: black
- 2x 10 kg max. load
- incl. cable management, fixing via cable clips
- tilt-resistant design foot



Technical changes reserved